

SELECT DESIRED MOUNT

- SURFACE MOUNT (SM)
- EMBEDDED MOUNT (EM)

SELECT DESIRED LENGTH

- 48"
- 72"
- 96"
- 72" WITH CENTER ARMREST
- 96" WITH CENTER ARMREST

SELECT DESIRED FINISH (<http://brpbybison.com/finishes.html>):

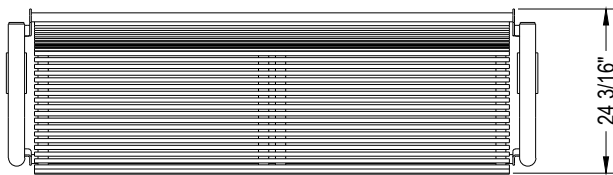
- WEATHERBEATER MASTERCOAT POWDER COATING (RECOMMENDED)
- SPECIFY COLOR: _____

MATERIALS:

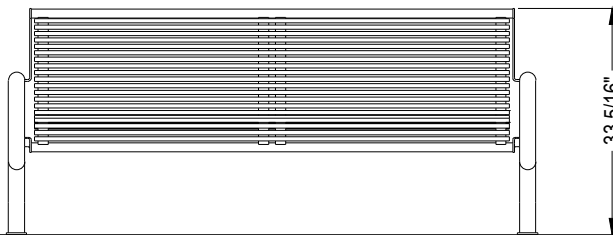
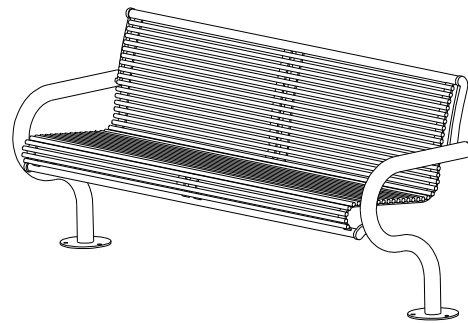
SEAT RODS: 5/8" Ø STEEL ROUND BAR
SUPPORTS: 1/4" X 1 1/2" STEEL FLAT BAR
PIPE SUPPORTS: 1.315" O.D. X 0.133"
WALL SCHEDULE 40 STEEL PIPE
END UNITS: 2-3/8" O.D. x .154" WALL SCHEDULE 40
STEEL PIPE
SURFACE MOUNT PLATE: 7-1/2"Ø 1/4" STEEL PLATE
MOUNTED WITH EIGHT (8) CUSTOMER SUPPLIED
1/2"Ø x 4-5" STAINLESS STEEL ANCHOR BOLTS



brp by bison
603 L Street
Lincoln, NE 68508
Phone: (888) 438-5311
Fax: (888) 438-5312
www.brpbybison.com
info@brpbybison.com

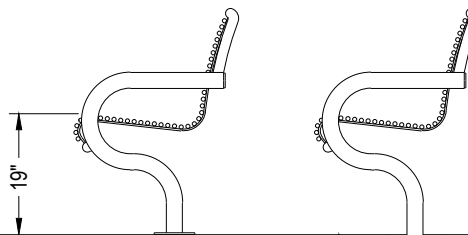


TOP VIEW

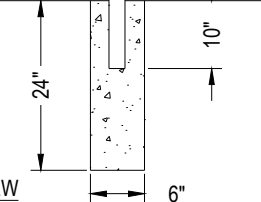


FRONT VIEW

48", 72", 96" (O.C.)



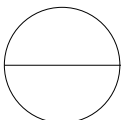
SURFACE MOUNT



EMBEDDED MOUNT

NOTES:

1. INSTALLATION TO BE COMPLETED IN ACCORDANCE WITH MANUFACTURER'S SPECIFICATIONS.
2. DO NOT SCALE DRAWINGS.
3. CENTER ARM REST CAN BE ADDED AT NO ADDITIONAL CHARGE TO 72" AND 96" BENCHES BY SPECIFYING ZARM.



PAPIO BACKED BENCHES

PA121-48-EM, PA121-48-SM, PA121-72-EM, PA121-72-SM
PA121-96-EM, PA121-96-SM