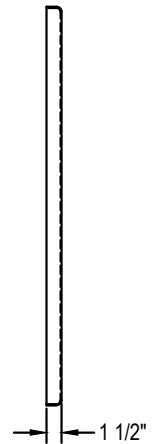
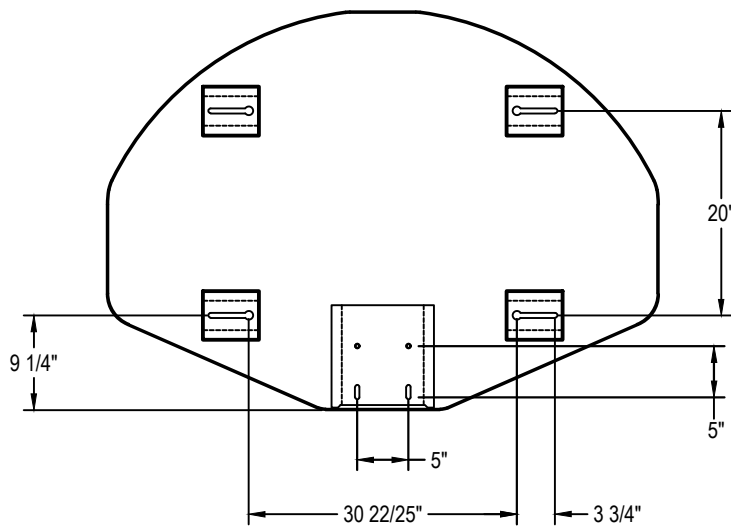


FRONT



SIDE



REAR

Backboard shall be 39" x 54" fan-shaped steel. Skin shall be 12 ga. mild steel with support structure to facilitate mounting. All skin edges shall be formed to create a 1 1/2" lip to add strength. Structure on the rear shall allow mounting to common 20" x 35" supports. The backboard shall be coated with a white polyester powder coated finish. Backboard shall accept rims with a 5" x 5" hole pattern and be manufactured in the USA. Backboard shall carry a 90-day limited warranty. Installation to be completed in accordance to manufacturer's instructions. Do not scale drawings. Weigh approximately 70#.



## PRODUCT SPECIFICATION

BA495E ECONOMY FRONT MOUNT STEEL FAN-SHAPED PLAYGROUND BACKBOARD

REVISED 7/1/17