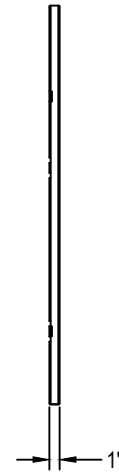
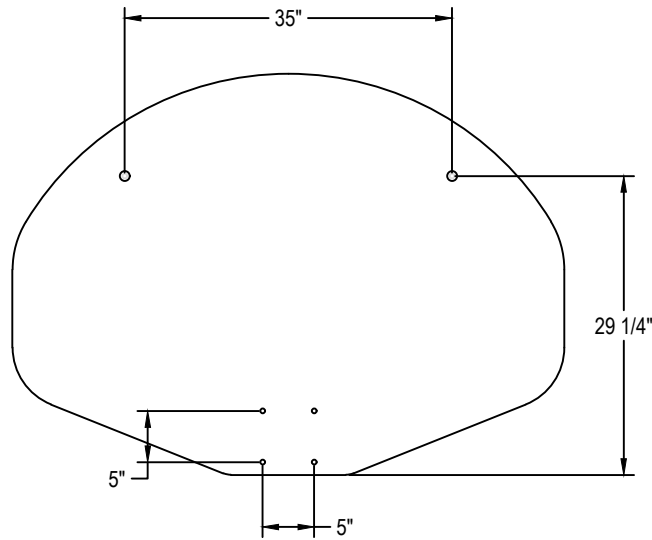


FRONT



SIDE



REAR

Backboard shall be 39" x 54" x 1" thick fan-shaped polyethylene. Front and back surfaces shall be bright white. An official size shooter's square shall be made permanently visible by means of machining through the front white face of the backboard exposing the red inner core. Silk screened or otherwise affixed shooter's square shall not be considered an acceptable equal. All edges shall be radiused to eliminate sharp corners. Board shall be drilled and counter-bored for appropriate mounting braces and to accept rims with a 5" x 5" hole pattern. Backboard shall have a limited lifetime warranty. Installation to be completed in accordance to manufacturer's instructions. Do not scale drawings. Weigh approximately 65#.



## PRODUCT SPECIFICATION

BA495P RUST-FREE POLYETHYLENE FAN-SHAPED PLAYGROUND BACKBOARD

REVISED 7/1/17