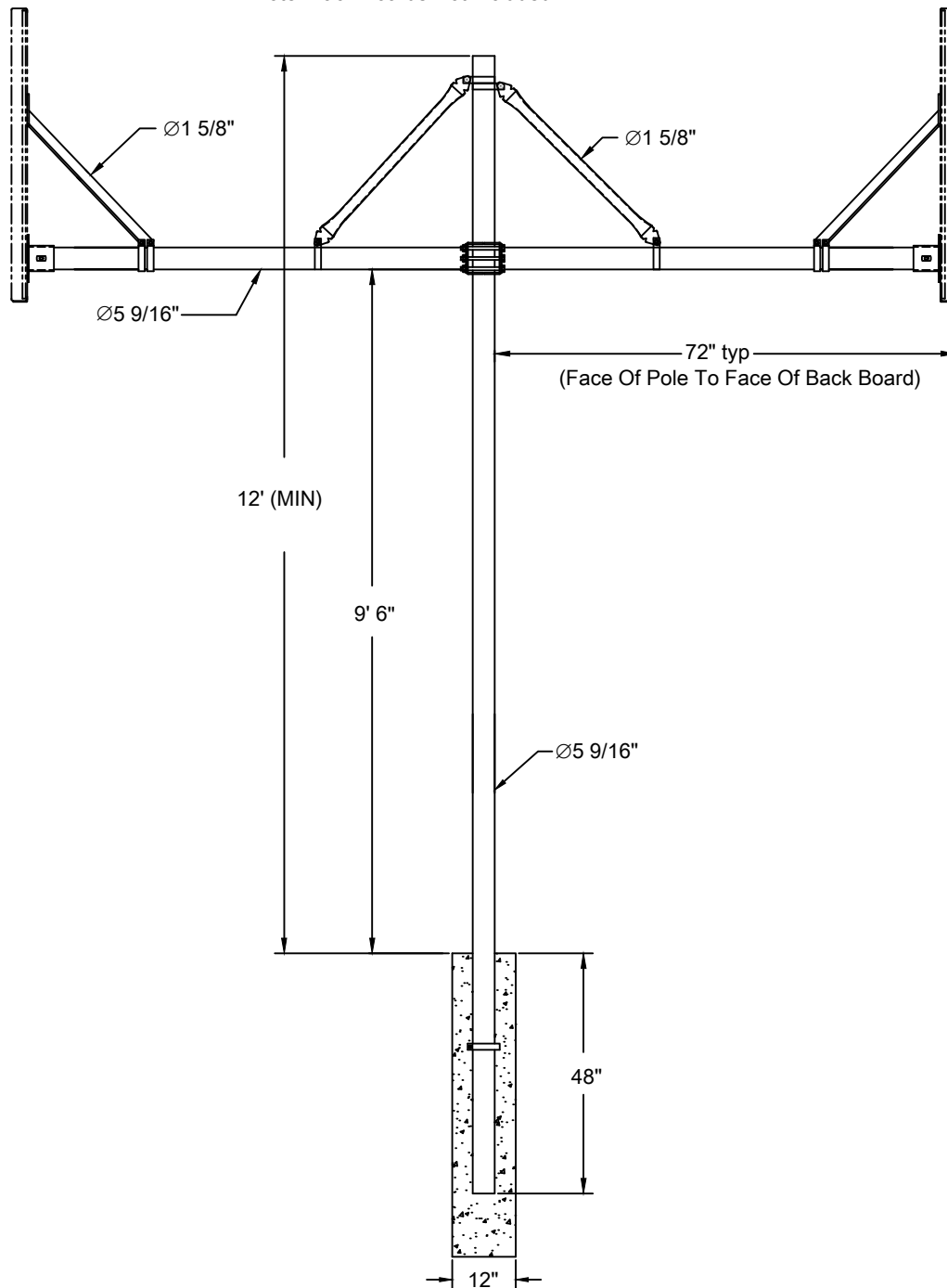


Note: Back Boards Not Included



Upright pole shall be constructed of 5 9/16" OD hot dipped galvanized schedule 40 pipe suitable for 48" ground bury. Two 5 9/16" galvanized extension arms shall clamp to the upright pole, extend from the pole 72" and be designed so that the selected backboard and rim (ordered separately) shall mount directly into the extension arm for maximum support. Pole shall include four 1 5/8", 13 ga. galvanized tubular braces to support the upper corners of each backboard and two 1 5/8" 13 ga. galvanized tubular brace to extend between the extension arms and the pole for stability. Poles without backboard support braces and a direct mount rim feature shall not be considered equal. Pole shall carry a limited lifetime warranty and weigh 400#. Installation shall be completed in accordance with manufacturer's instructions.



PRODUCT SPECIFICATION

BA781DB DOUBLE SIDED ADJUSTABLE MEGA-DUTY PLAYGROUND POLE

REVISED 7/1/17