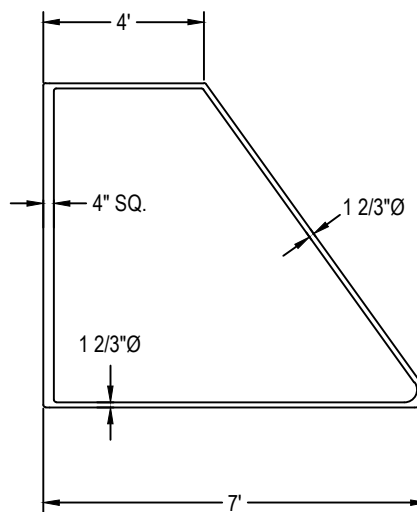


EXTRUSION



Face of goal shall be constructed of 4" square extruded 6063-T6 aluminum with minimum 3/4" corner radii for safety and a minimum wall thickness of 2/25". Extrusions shall have a net track extruded in the rear face to allow net attachment using specially designed clips included with each system. Goal shall have a 21' wide x 7' high opening. The backstays and rear stabilizer bar shall be constructed of 1 5/8" diameter x 13 ga. minimum galvanized steel tube and provide a 4' top depth x 7' bottom depth. 4" square face of the goal shall have a white textured polyester powder coated finish. Goal shall carry an 8-year limited warranty and comply with ASTM F2056. Standard features shall include auger type rear safety hold downs, molded plastic net attachment clips, rear horizontal stabilizer bars, Velcro net straps and net ground stakes. Installation to be completed in accordance to manufacturer's instructions. Do not scale drawings. System shall weigh approximately 385#/pair.



## PRODUCT SPECIFICATION

SC2170PA44E 4" SQUARE COMPETITION PORTABLE ALUMINUM SOCCER GOALS

REVISED 7/1/17