

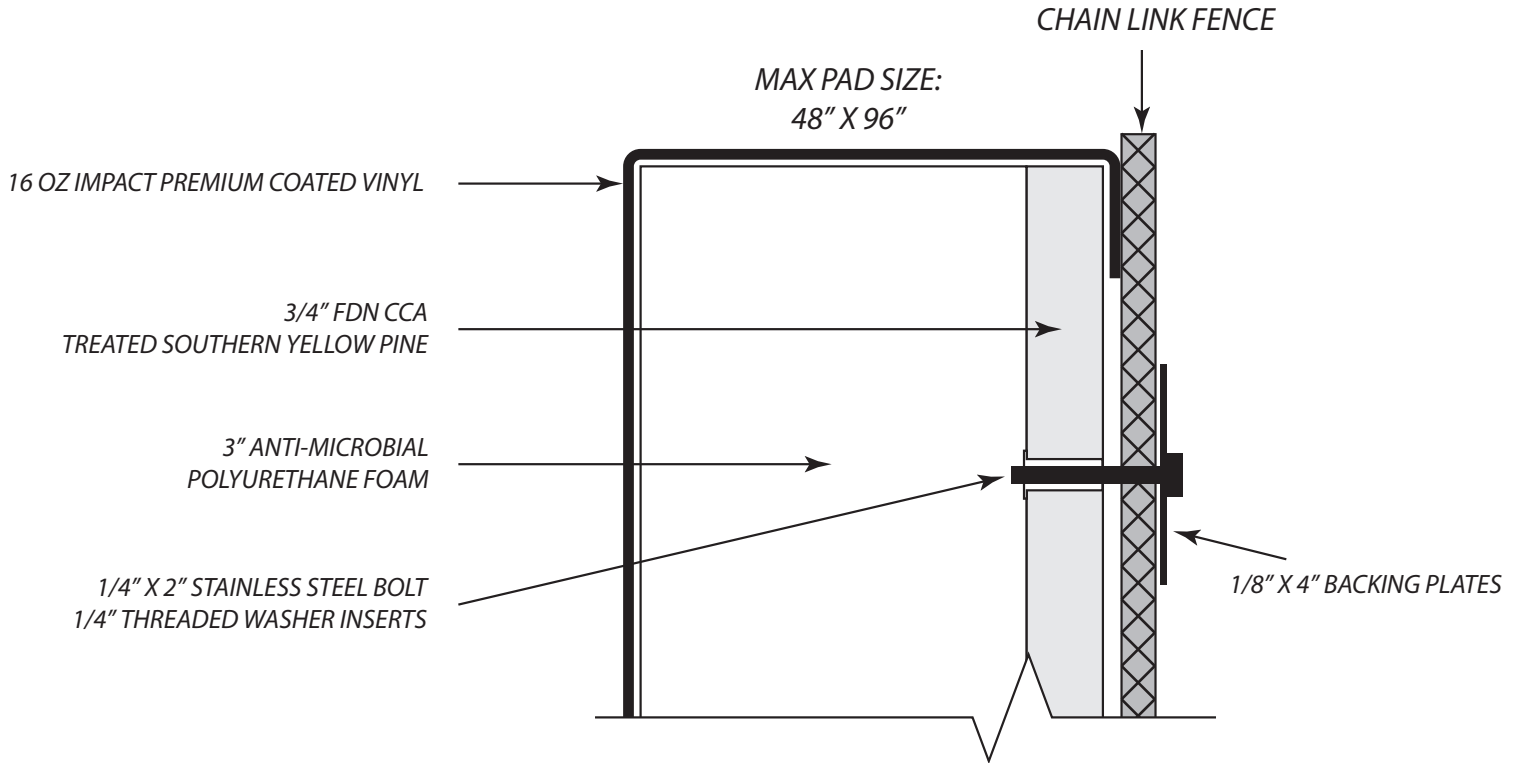
————— **Product Detail** —————

WPC

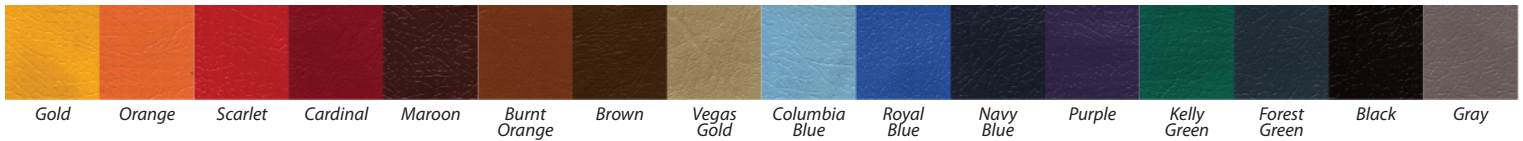
CHAIN LINK ATTACHMENTS



Customer Service
(800) 247-7668



Vinyl Colors: (Actual Colors May Vary)



SPECIFICATIONS:

OUTDOOR USE

Unless otherwise indicated outdoor padding is constructed of 3/4" FDN CCA treated southern yellow pine plywood with adhesive applied 3" anti-microbial polyurethane foam. Pads are covered with fabric-backed flame retardant and mildew- and UV-resistant 16 oz. vinyl with leather grain texture. Full-Color Graphic styles are covered with 16 oz. flame-, mildew-, and UV-resistant vinyl. All vinyl is tightly stretched around the foam and stapled to the plywood with rust-proof stainless steel staples no less than 2" apart. Specifications may vary on custom sizes, shapes, and configurations to meet site-specific requirements.