

BA125/185

12 OR 18 BALL CADDY



Customer Service
(800) 247-7668

PARTS LIST					
Item	Qty	Description	Item	Qty	Description
A	10	1/2" Button Head Cap Screws	D	2	Frame Sides (Packaged Separately)
B	5	Horizontal Bars (Packaged Separately)	E	1	5/16" Allen Wrench
C	4	Casters			

- ◆ Inspect all contents prior to installation. Report any missing parts to dealer immediately.
- ◆ Read all instructions before proceeding.

1. Insert the *1/2" Button Head Cap Screws (A)* into the holes in the *Frame Sides (D)*.
2. Line up the *Horizontal Bars (B)* with the holes in the *Frame Sides (D)*. Tighten the *1/2" Button Head Cap Screws (A)* using the *5/16" Allen Wrench (E)*. See Figure 1.
3. Insert the *Casters (C)* into the bottom of *Frame Sides (D)*.

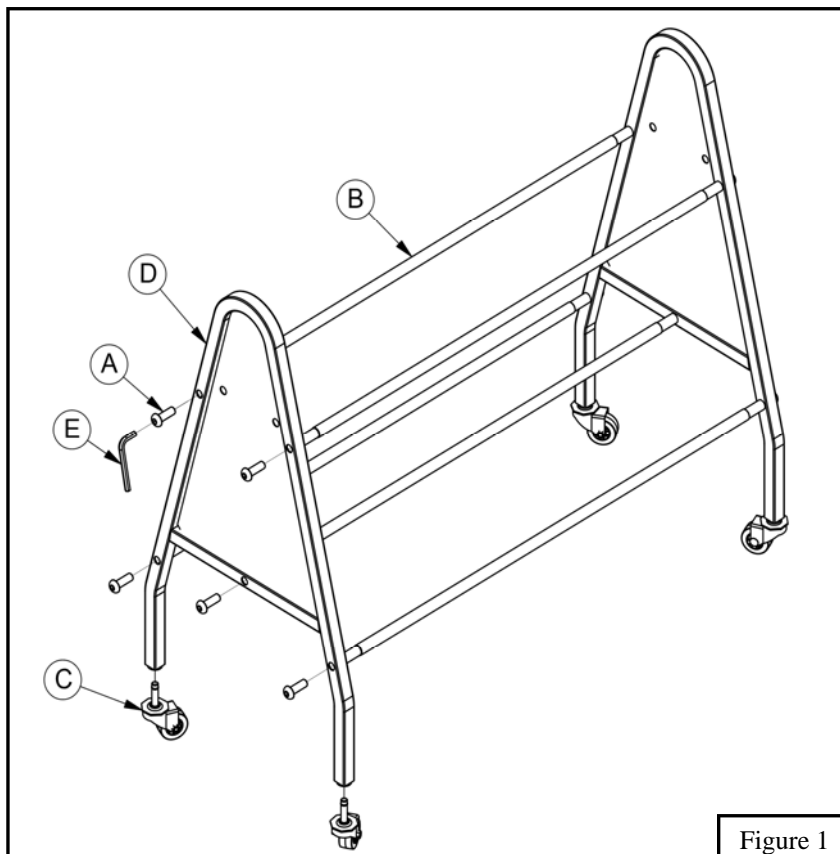


Figure 1