



BA832/833/833XL

Portable/Adjustable Basketball Systems

Customer Service
(800) 247-7668

PARTS LIST					
Item	Qty	Description	Item	Qty	Description
A	1	Portable Base and Pole Assembly	J	1	Acrylic Backboard Hardware (pkg. w/ backboard)
B	1	Extension Arm Assembly	K	1	Backboard (pkg. separately)
C	2	Upper Backboard Support Brackets (BA832/833)	L	1	Goal (pkg. separately)
D	2	Lower Backboard Support Brackets (BA832/833)	M	1	Goal Mounting Hardware (pkg. separately)
E	4	Backboard Mounting Angles (BA832/833)	N	4	5/16" X 1 1/2" Carriage Bolt (BA832)
F	8	5/16" X 1" Hex Bolts (BA832/833)	O	1	Locking Pin
G	12	5/16" Flange Nuts (BA832/833)	P	1	Lock Knob
H	8	5/16" Flat Washers (BA832/833)	Q	1	Backboard Mounting H-Frame (BA833XL)
I	1	Height Indicator Labels (attached to base)			

Warning!

Do not release the height adjustment handle or loosen the telescoping pole lockbolt until the system is completely assembled as the telescoping tubes are under spring tension and may cause damage or injury to the assembler.

- ◆ Inspect all contents prior to installation. Report any missing parts to dealer immediately.
- ◆ Carefully read all instructions before proceeding. Pay special attention to the safety instructions on the next page.
- ◆ Save this instruction in the event that the manufacturer must be contacted in the future for maintenance information.

1. This basketball system is shipped partially preassembled. After removing the system from its shipping skid open the lower padded front of the unit by removing the *Lock Knob* (P) and pulling forward on the top of the lower pad. Remove the unassembled parts and hardware. See Figure 1.
2. For BA832/833 open the rear ballast storage compartment by removing 4 screws. Do not remove the bottom 2 pivot screws. Pivot rear cover open and place 12 each 4"x 8"x 16" solid Concrete CAP Blocks and 3 each 4"x 8"x 8" Solid Concrete CAP Blocks into the compartment. Make sure that the weight is evenly distributed. Reposition the rear cover. See Layout 1.

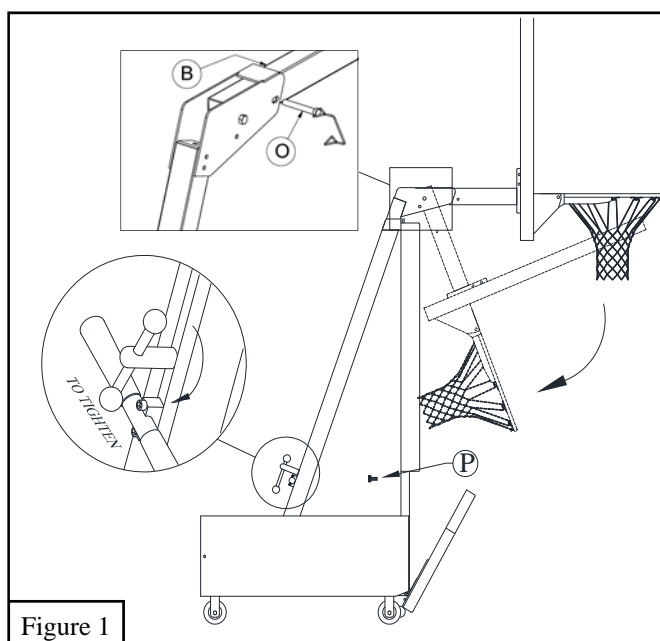


Figure 1

Note:
If your warning label becomes damaged or lost, call the manufacture for a replacement.

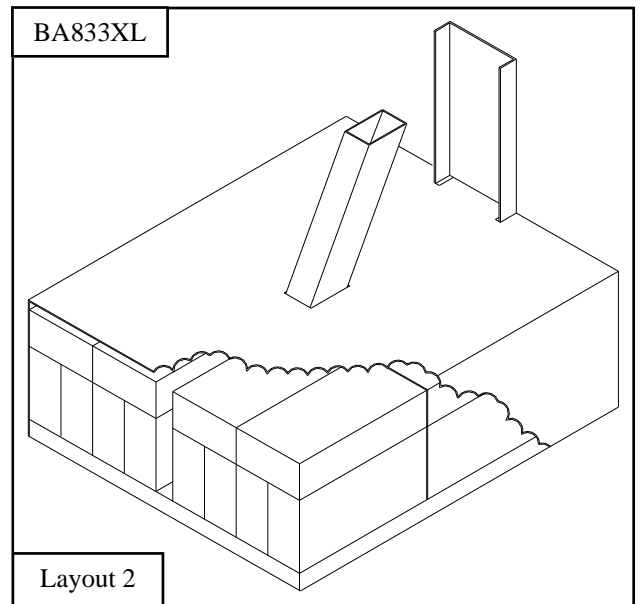
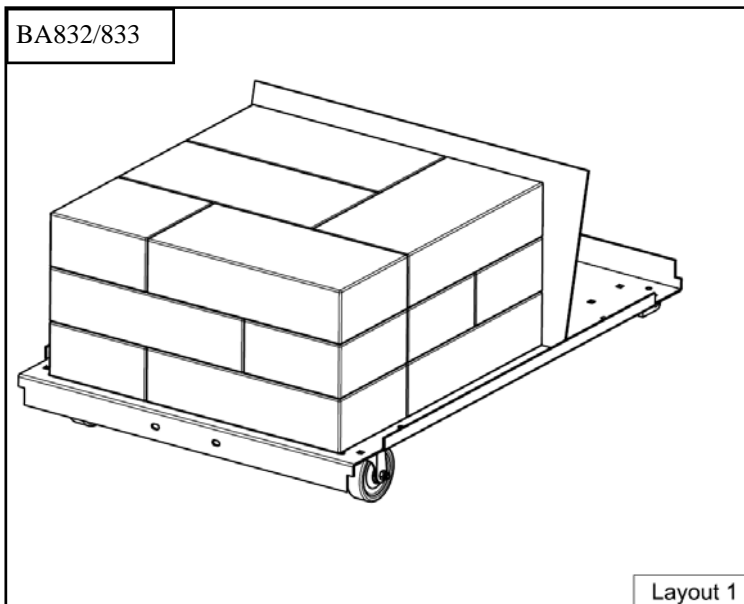
WARNING

FAILURE TO FOLLOW THESE WARNINGS MAY RESULT IN SERIOUS INJURY AND/OR PROPERTY DAMAGE.
 Owner must ensure that all players know and follow these rules for safe operation of this system.

- DO NOT remove or cover this warning label
- DO NOT HANG on the rim or any part of system including backboard, support braces or net.
- During play, especially when performing dunk type activities, keep player's face away from the backboard, rim and net. Serious injury could occur if teeth/face come in contact with backboard, rim or net.
- Do not slide, climb or play on system.
- When adjusting height, keep hands and fingers away from moving parts.
- Do not allow young children to adjust or move system.
- During play, do not wear jewelry (rings, watches, necklaces, etc.). Objects may entangle in net.
- Do not operate without the proper ballast as recommended by the instruction manual.
- Follow directions for height adjustment, relocation and storage.
- Do not attempt to setup or move the system on uneven surfaces.
- Check system before each use for loose hardware, excessive wear and general instability and repair before play is allowed.
- Never play on damaged equipment.

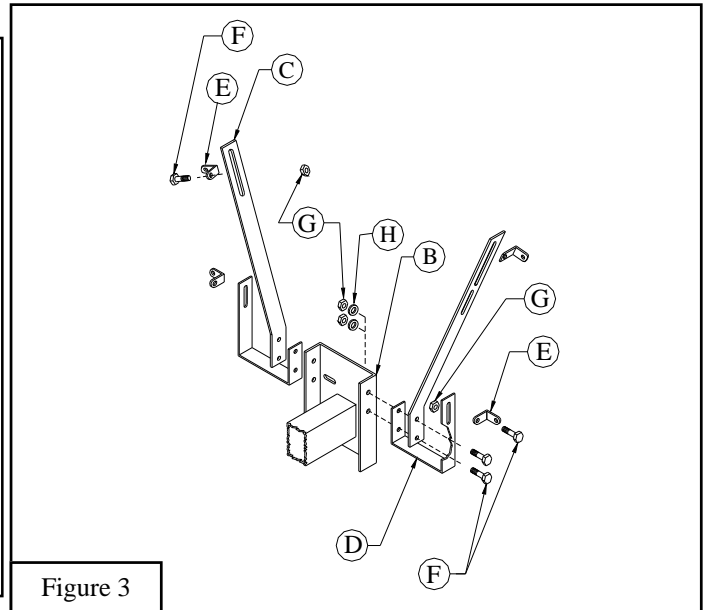
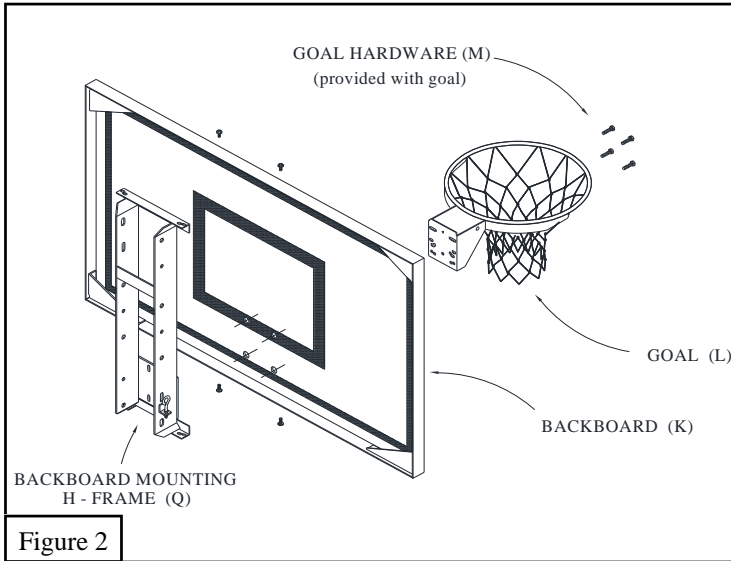
BISON, INC. 1-800-247-7668 Portable

3. For BA833XL open the rear ballast storage compartment by removing 4 screws. Do not remove the bottom 2 pivot screws. Pivot rear cover open and place 24 each 4"x 8"x 16" solid Concrete CAP Blocks into the compartment. Make sure that the weight is evenly distributed. Reposition the rear cover. See Layout 2.
4. Rotate the *Extension Arm Assembly* (B) to the playing position. See Figure 1
5. For Model BA833XL use the instructions supplied with the *Backboard Mounting H-Frame* (Q) you have purchased and pre-assemble the *Backboard* (K) and the *Backboard Mounting H-Frame* (Q). See Figure 2.
6. For Model BA833, mount the *Upper Backboard Supports* (C) and *Lower Backboard Supports* (D) to the *Extension Arm Assembly* (B) using the 5/16" X 1" Hex Bolts (F), 5/16" Flat Washers (H) and the 5/16" Flange Nuts (G). Do not tighten at this time. For Model BA832 only requires the *Upper Backboard Supports* (C), discard *Lower Backboard Supports* (D). See Figure 3 & 4.
7. Mount the *Backboard Mounting Angles* (E) to the *Backboard Supports* (C) and (D) as shown in Figure 3, using the 5/16" X 1" Hex Bolts (F) and 5/16" Flange Nuts (G). Do not tighten at this time. See Figure 3 & 4.



Warning!

The recent popularity of adjustable height basketball systems has increased the risk of dental injury, particularly to young players, due to players getting their teeth caught in the net.



8. On BA832 systems attach 2 *Backboard Mounting Angles* (E) to the *Backboard* (K) using $5/16 \times 1 1/2$ " *Carriage Bolts* (N), $5/16$ " *Flat Washers* (H) and $5/16$ " *Flange Nuts* (G). On BA833 systems attach the 4 *Backboard Mounting Angles* (E) to the *Backboard* (K) using the *Acrylic Backboard Hardware* (J). Follow the instructions provided with the hardware marked "BAACRYLIC". See Figure 4 and 5.
9. Mount the *Backboard* (K) and *Goal* (L) to the *Extension Arm Assembly* (B) using the hardware provided with the *Goal* (M). See Figures 2,4, and 5.
10. Tighten all hardware assuring that the goal and backboard are level.
11. Install net provided with goal.
12. To adjust the height of the rim loosen the telescoping lock bolt, then loosen the lock handle while gripping the adjustment handles. Adjust the pole upwards until the top of the goal measures 10' from the playing surface. Lock the pole at that height and apply the 10' *Height Indicator Label* (I) to the plated inner tube. Line up the arrows on the 10' label to the already attached "*Rim Height Indicator*" label. Adjust the pole downward so that the goal measures 9' 6" from the playing surface. Lock the pole and apply the appropriate height indicator label to the plated inner tube. Continue to lower the goal at 6" increments, being careful to lock the pole each time, and apply the appropriate height labels until the height of 8' from playing surface is reached. See Figure 6
13. To roll the system, unscrew the *Lock Knob* (P) to release the lower front padding. This will lower the unit to the portable position. To lock in place push padding to the original position and tighten the *Lock*

Warning!
**Never use the backboard to push or pull the system as
 unwarranted backboard breakage will likely occur.**

Knob (P) . See Figure 1

14. For storage or transport through a normal 78" tall double doorway: remove the *Locking Pin (O)* then pivot the extension arm, backboard and goal downwards. Store the *Locking Pin (O)* in the extension arm. See Figure 1.
15. To roll the system, unscrew the *Lock Knob (P)* to release the lower front padding. This will lower the unit to the portable position. To lock in place push padding to the original position and tighten the *Lock Knob (P)* . See Figure 1.

SAFETY INSTRUCTIONS

FAILURE TO FOLLOW THESE SAFETY INSTRUCTIONS MAY RESULT IN SERIOUS INJURY, PROPERTY DAMAGE AND WILL VOID WARRANTY.
 Owner must ensure that all players know and follow the rules for safe operation of this system.

To ensure safety, do not assemble this system without following the instructions carefully. A high probability of serious injury exists if this system is not installed, maintained, and operated properly.

- If using a ladder during assembly, use extreme caution.
- 2 people are recommended for safe assembly.
- Climate, corrosion or misuse could result in system failure.
- If technical assistance is required, contact the manufacturer.
- Minimum operational height is 6'6" (1.98m) to the bottom of the backboard.
- Assembly will require lifting and bending that may result in injury to persons not accustomed to this type of activity.

Most injuries are caused by misuse and/or not following instructions.
 Use caution when using and assembling this system

