

Instruction and Safe Use Manual

4" ROUND OR 4" SQUARE PORTABLE ALUMINUM SOCCER GOALS

SHOOTOUT NO TIP OR STANDARD OPTION ALUMINUM FOOTBALL SOCCER GOALS

WARNING!

It is imperative that all **Portable Soccer Goals** be used only in accordance with safety guidelines contained in these instructions as well as those found on the safety warning labels attached to the goals. Failure to do so can cause serious injury or death.

NOTICE:

**THESE PORTABLE ALUMINUM SOCCER GOALS MEET ASTM F2950-14
SAFETY AND PERFORMANCE STANDARD**

IMPORTANT SAFETY INSTRUCTIONS!

1. Check for structural integrity and proper connection hardware before every use. Replace damaged or missing parts or fasteners immediately.
2. Ensure safety/warning labels are clearly visible.
3. Securely anchor or counterweight movable soccer goals at ALL times following the instructions in this manual. Bison Soccer Goals with No-Tip feature if properly installed require no additional loose ballasts or hold down anchors.
4. Always instruct players, managers, coaches, trainers, teachers, maintenance and all other personnel who might come into contact with the goal on the safe handling of and potential dangers associated with movable soccer goals.
5. Always exercise extreme caution when moving goals and allow adequate manpower to move goals of varied size and weights. Movable soccer goals should only be moved by authorized and trained personnel.
6. NEVER allow anyone to climb on the net or goal framework.
7. Movable soccer goals should only be used on LEVEL fields, NEVER on a slope or hill area.
8. Remove nets when goals are not in use unless area is secure.
9. Most of the tip over injuries occurred when goals were unattended. Anchor or chain one goal to another or to nearby fence posts, dugouts, or any other similar sturdy fixture when not in use. If this is not practical, store movable soccer goals in a place where children cannot have access to them.
10. Fully disassemble goals for seasonal storage if practical.

- ◆ Inspect all contents prior to installation. Report any missing parts to dealer immediately.
- ◆ Read all instructions before proceeding.

- ◆ Inspect all contents prior to installation. Report any missing parts to dealer immediately.
- ◆ Read all instructions before proceeding.

PARTS LIST (FOR ONE PAIR OF GOALS—2 HARDWARE BOXES)					
Item	Qty	Description	Item	Qty	Description
A	2	Crossbar	K	4	Bent Backstay Tube
B	4	Upright	L	2	Backstay Spreader Tube
C	8	Inner Tube	M	8	Locking Collar (No-Tip option only)
D	8	Connecting Bar	N	1	Hook and Loop Fastening Strap (Roll)
E	32	3/8" x 1" Hex Bolt	O	8	Net Ground Stake
F	12	5/16" x 2 3/4" Hex Bolt	P	100	Net Attachment Clip
G	28	5/16" Nylon Lock Nut	Q	8	5/16" U-Bolt
H	4	"T" Connector	R	4	Ballast Drum (No-Tip option only)
I	4	Corner	S	4	Plug (No-Tip option only)
J	4	Auger Goal Hold Down (if applicable)			
Items M, R & S are applicable ONLY on all goals that include "No-Tip" feature. Use item "J" Auger Hold Downs or optional loose ballast bags on other goals.					

1. Slide the *Connecting Bar* (D) into the *Inner Tube* (C) through the channel so that all the holes are lined up as shown. Assemble the *Corners* (I) by inserting the inner tube assembly leaving six holes exposed for Crossbar/Upright attachment. Install four 3/8" *Hex Bolts* (E) per *Corner* (I) . See Figure 1.
2. Lay *Uprights* (B) and *Crossbar* (A) flat on the ground with net attachment tracks facing upward.
3. Attach *Crossbar* (A) to the two corner assemblies, from #1 above, by sliding *Crossbar* (A) onto the *Inner Tube* (C) and installing two 3/8" *Hex Bolts* (E) per end. See Figures 1 and 4.
4. Slide *Uprights* (B) onto corner assembly *Inner Tube* (C) and install two 3/8" *Hex Bolts* (E) per *Upright* (B).

IF YOU PURCHASED GOALS WITH BISON NO-TIP BALLAST FEATURE:

5. Fill each *Ballast Drum* (R) **completely** with sand, making sure the sand is compacted. They should hold approximately 60-75 lbs. of sand each. Once full, install the *Plug* (S) and tighten securely to ensure there is no sand escaping. See Figure 3.
6. On each end of the *Backstay Spreader Tube* (L), slide one *Locking Collar* (M) followed by one *Ballast Drum* (R) and another *Locking collar* (M). See Figure 3.
7. Install and tighten "*T*" *Connector* (H) to each end of the *Backstay Spreader Tube* (L) using the 5/16" x 2 3/4" *Hex Bolt* (F) and 5/16" *Nylon Lock Nut* (G). See Figure 3.
8. Using the 5/16" *U-Bolts* (Q) and the 5/16" *Nylon Lock Nuts* (G) assemble the "*T*" *Connector* (H) around the angled portion of the *Backstay Spreader Tube* (L) close to the radius bend. See Figure 5.
9. Locate the center of the *Ballast Drum* (R) approximately 4' from each *Bent Backstay Tube* (K) and tighten the *Locking collars* (M). Insure that the *Ballast Drum* (R) will rotate freely. See Figure 5.

10. With the fully assembled soccer goal in the upright playing position, make sure that all *Ballast Drums* (R) are sitting on the playing surface. Tighten the *5/16" U-Bolts* (Q) to secure the *Backstay Spreader Tube* (L) to the *Bent Backstay Tube* (K).
11. Proceed to Instruction 15 below.

IF YOU PURCHASED GOALS WITHOUT THE NO-TIP BALLAST FEATURE:

12. Connect a "*T*" *Connector* (H) to each end of the *Backstay Spreader Tube* (L) using the *5/16" x 2 3/4" Hex Bolt* (F) and *5/16" Locknut* (G). **See Figure 2.**
13. Attach the assembly in 12 above to the bottom of the *Bent Backstay Tube* (K) using the *5/16" U-Bolts* (Q) and the *5/16" Locknuts* (G). **See Figure 2.**
14. Tighten the *5/16" U-Bolts* (Q) with the *Backstay Spreader Tube* (L) as far to the rear as possible unless you are leaving clearance to have the soccer goal be positioned under a football goalpost.
15. Install *Net Attachment Clips* (P) into the slots in each *Upright* (B), and each *Crossbar* (A). The *Net Attachment Clips* (P) slip into the slot and twist 90° into position with the opening to the outside of the goal. You have been provided enough net attachment clips to position one every 12"-14" and still have extras depending on the size of your goal.
16. Drape the net over the *Bent Backstay Tubes* (K) and attach to the *Net Attachment Clips* (P) on the rear face of the goal. Position clips to suit. A rope is woven into the net behind the top front to attach to the left hand and right hand backstays to help support the net. Use roll of *Hook and Loop Net Fastening Strap* (N) to attach the bottom of the net to the lower backstay tubes. If desired cut to length as needed.
17. When the goal is positioned for play, the rear bottom edge of the net can be staked to the ground using the *Net Ground Stakes* (O).

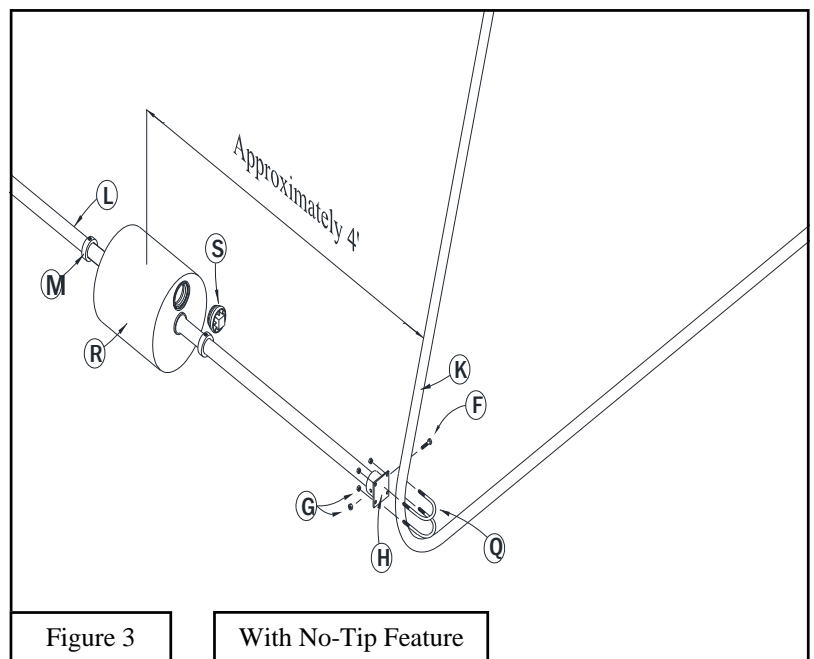
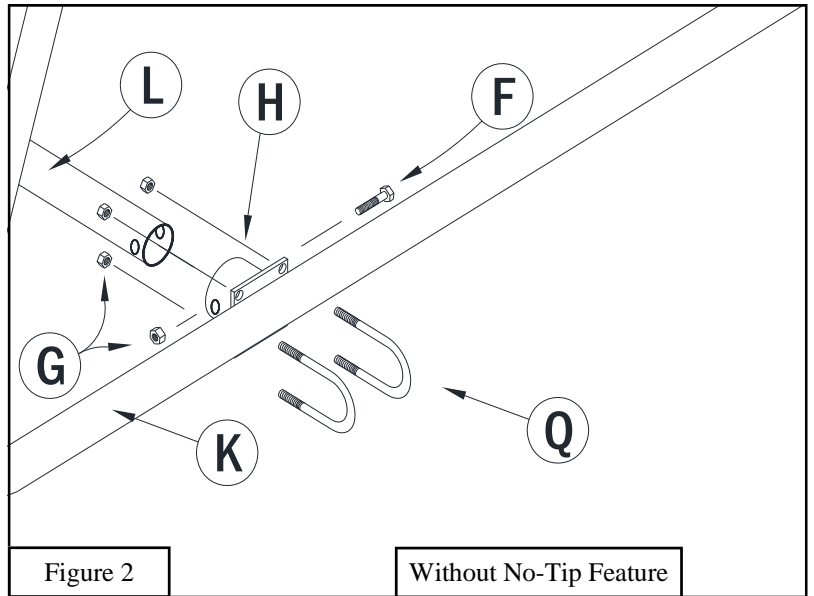
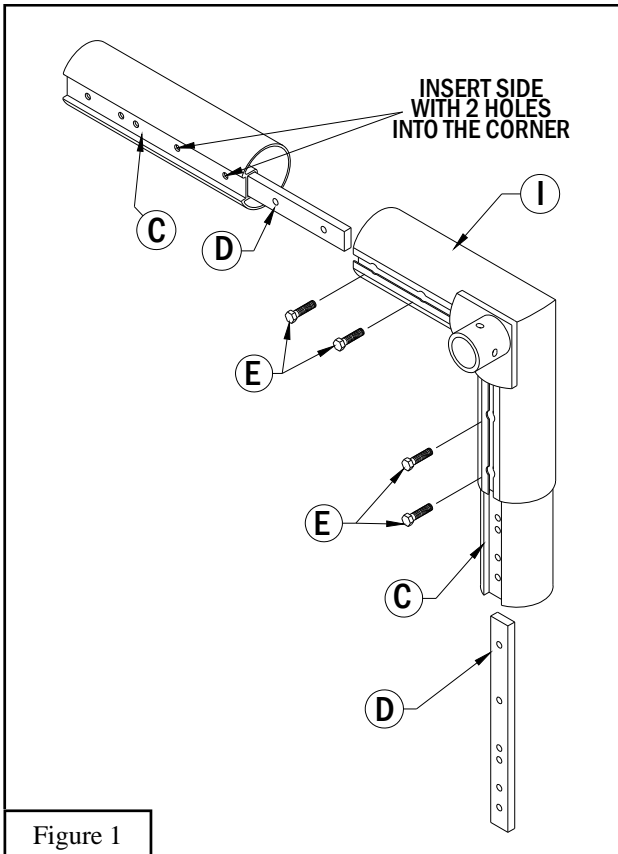
WARNING!

GOAL TIP OVER CAN CAUSE SERIOUS INJURY OR DEATH, PLEASE CAREFULLY READ AND UNDERSTAND INSTRUCTIONS 18 AND 19.

18. Prior to play, the rear of the goal must be secured to prevent accidental tip over. Bison No-Tip Goals, when sand is properly installed, satisfy this need. If your goal does not include the No-Tip rear ballast and is being used on natural turf, proceed to #21 below. If the goal does not include the No-Tip feature and is being used on an artificial turf that is not compatible with the *Auger Style Hold Downs* (J), goals must be weighted with rear ballast bags or by other methods. Consult a Bison Product Specialist for options.
19. Position the *Auger Goal Hold Downs* (J) near the rear radius of the left hand and right hand backstays. Once the augers are fully rotated into the ground, clip the chain around the side of the backstays. **See Figure 4.**
20. Use of optional soccer post padding is recommended to reduce the risk of player contact injury.

CAUTION!

DO NOT LEAVE AUGER HOLD DOWNS IN THE GROUND WHEN THE GOAL IS MOVED AS PROTRUDING OBJECTS CAN CAUSE INJURY TO PEOPLE AND DAMAGE TO MOWING EQUIPMENT



WARNING LABEL

⚠ WARNING ⚠

ALL SOCCER GOALS

- NEVER CLIMB OR HANG ON GOAL OR NET.
- CLIMBING, HANGING, OR OTHER NON-INTENDED USES OR FAILURE TO PROPERLY INSTALL GOALS CAN CAUSE SERIOUS INJURY OR DEATH.
- REGULARLY CHECK ALL FASTENERS PRIOR TO USE.
- CONSIDER PADDING GOAL UPRIGHTS.

PORTABLE SOCCER GOALS

GOALS MUST BE ANCHORED OR COUNTERWEIGHTED AT ALL TIMES.
UNSECURED GOALS MAY FALL OVER CAUSING SERIOUS INJURY OR DEATH.

APPROVED OPTIONS:

- PURCHASE NO-TIP™ SOCCER GOAL AND FILL BALLAST DRUM COMPLETELY WITH SAND.
- SECURE WITH AUGER-STYLE GROUND ANCHORS (2 PER GOAL MINIMUM).
- COUNTERBALANCE WITH WEIGHTS ON REAR (125# MINIMUM).

THIS GOAL MEETS ALL SAFETY AND PERFORMANCE STANDARDS OF ASTM F2950-14.

FOR TECHNICAL INFORMATION
CALL 800-247-7668

SCPA #3

