

# — Instruction Manual —

## SVB50A



Match Point Aluminum Competition Outdoor Volleyball Posts

Customer Service  
(800) 247-7668

SVB5000A AND SVB5050A Systems

PARTS LIST					
Item	Qty	Description	Item	Qty	Description
A	2	SVB50A Volleyball Standards	F	1	VB1250KU Net (SVB1250K for 2 X 2 Competition)
B	1	Cable Tensioning Slider Bar Assembly	G	4	Rope Ratchet Tensioners (Packaged w/ Net)
C	1	Non-Tensioning Slider Bar Assembly	H	2	SVB210 Sockets (if applicable)
D	2	Height Labels	I	2	VB51P Post Pad
E	1	Carabiner	J	2	VB13 Antennae

- ◆ Inspect all contents prior to installation. Report any missing parts to dealer immediately.
- ◆ Read all instructions before proceeding.

1. Remove the pre-installed top post cap to install *Cable Tensioning Slider Bar Assembly (B)* and *Non-Tensioning Slider Bar Assembly (C)* into the *SVB50A Volleyball Standards (A)*. Make sure the top of *Cable Tensioning Slider Bar Assembly (B)* and *Non-Tensioning Slider Bar Assembly (C)* are toward the top of *SVB50A Volleyball Standard (A)*. Reinstall top post cap. See Figures 1 and 2.
2. For permanent installation dig two holes 12” in diameter, 52”-56” below the playing surface and 37 feet apart (32 feet apart for 2 X 2 Competition). You will need 8-10 1/3 cubic foot bags of pre-mix concrete for each hole. Insert *SVB50A Volleyball Standards (A)* into the holes so that the *Cable Tensioning Slider Bar Assembly (B)* and *Non-Tensioning Slider Bar Assembly (C)* are facing each other toward the center of the court. Fill holes with concrete. The *SVB50A Volleyball Standards (A)* need to be approximately 100” above the playing surface and the top surface of the concrete footing needs to be 4”-6” below the playing surface of the sand. Make sure concrete has cured at least 7 days before continuing with the installation. See Figures 2, 3 and 4.
3. For removable installation refer to the instructions provided with the SVB210 ground sockets.

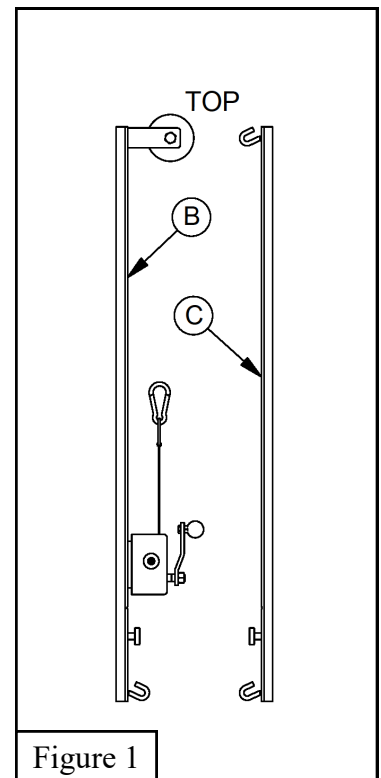
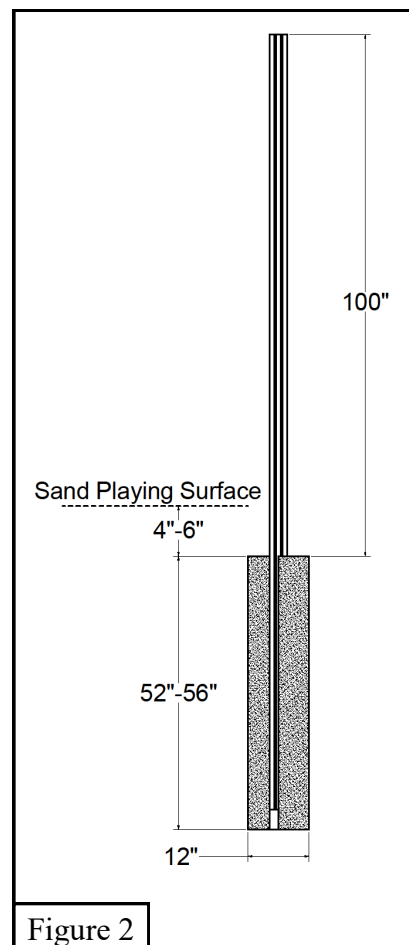


Figure 1

### Caution!

The VB1250KU Net (F) is designed to fit Bison Match Point Systems by customizing the length of the top rope. Tie a loop in one end of the top rope at a location that allows proper tensioning. Do Not cut the excess rope until you are confident you have the correct length. Length will depend on the distance between the standards. Nets cannot be returned after unwrapping. Call Bison Customer Service for assistance at #800-247-7668.

4. Uncoil approximately 24" of the web strap from the winch on the *Cable Tensioning Slider Bar (B)* to allow for net tensioning.
5. Loop the kevlar top rope over the pulley on the *Cable Tensioning Slider Bar (B)* and attach to the spring clip on the end of the winch strap. Attach the other end of the kevlar top rope to the hook at the top of the *Non-Tensioning Slider Bar (C)*. Tension the kevlar top rope with the winch on the *Cable Tensioning Slider Bar (B)*.
6. Attach the loop on one end of the bottom rope to the hook on the bottom of *Non-Tensioning Slider Bar (C)*. Attach the other end of the bottom rope with the spring hook on the bottom *Rope Ratchet Tensioner (G)*. Tension the bottom rope by pulling the rope through the bottom *Rope Ratchet Tensioner (G)*. See Figure 3.
7. Loop two *Rope Ratchet Tensioners (G)* around each *SVB50S Volleyball Standard (A)* and through the eyelets on the *VB1250KU Net (F)* side tapes. Tension the *VB1250KU Net (F)* sides by pulling the end of the ropes. Release the *Rope Ratchet Tensioner (G)* by pressing on the release button. Ratchets should be rotated close to the pole and behind the *VB51P Post Padding (I)* to prevent contact with players. See Figure 3.
8. Once the *VB1250KU Net (F)* is attached it must be adjusted to its desired height. Loosen the winch to release the *VB1250KU Net (F)* tension. Do this before attempting to move the *Cable Tensioning Slider Bar Assembly (B)* and *Non-Tensioning Slider Bar Assembly (C)*. See Figure 3.
9. After the *VB1250KU Net (F)* tension has been released, loosen the locking knobs on the *Cable Tensioning Slider Bar Assembly (B)* and *Non-Tensioning Slider Bar Assembly (C)* to allow free movement up and down. Adjust *VB1250KU Net (F)* to desired height. Once the top of the *VB1250KU Net (F)* is at the desired height under tension tighten the locking knobs. See Figure 3.
10. Once the *VB1250KU Net (F)* is locked and tensioned at the desired height install the *Height Labels (D)*. Line up appropriate line on *Height Label (D)* with the orange height indicator arrow. Use a credit card or similar device to remove air bubbles from *Height Labels (D)*. See Figure 3.
11. Install *VB51P Post Padding (I)* and *VB13 Antennas (J)*.



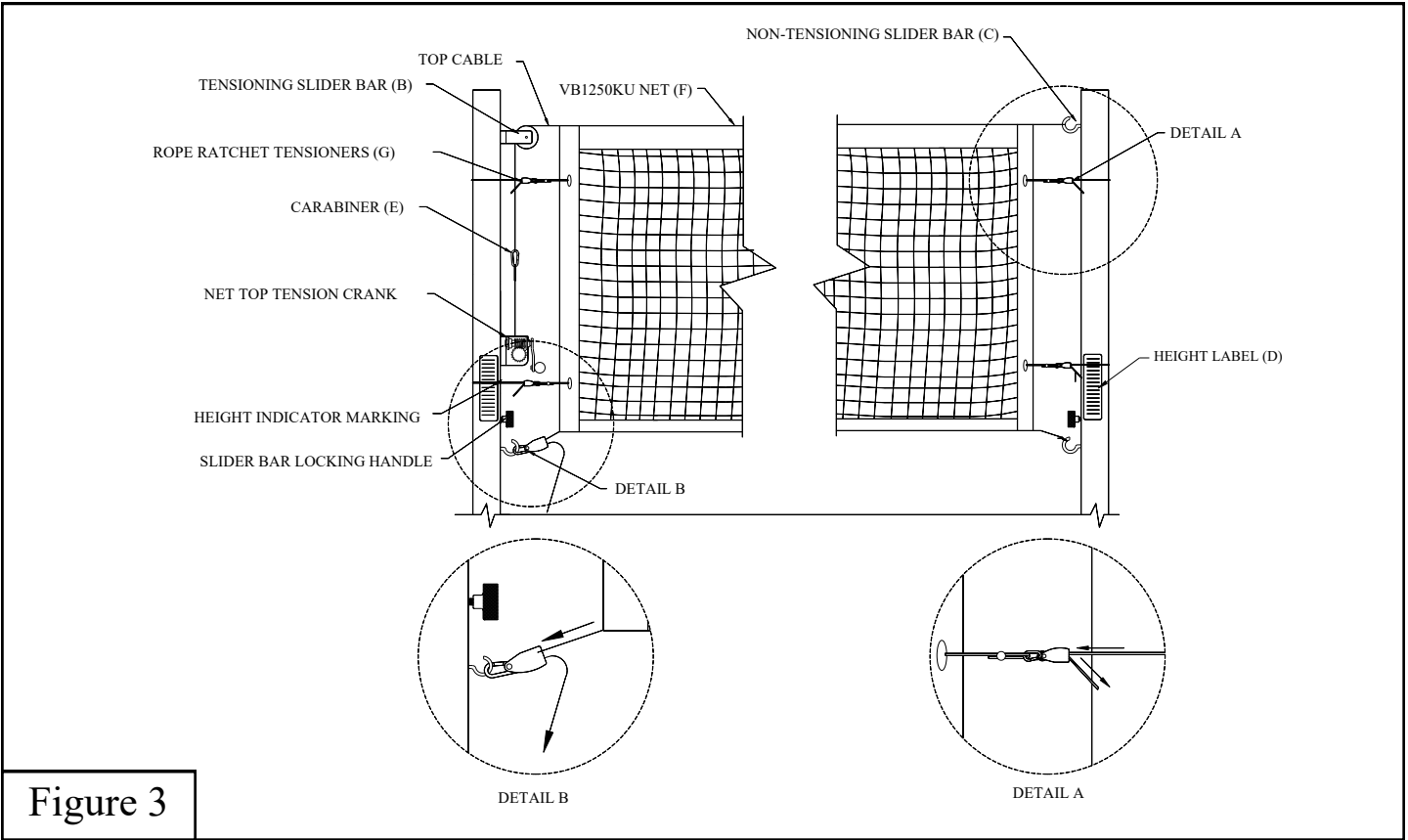


Figure 3

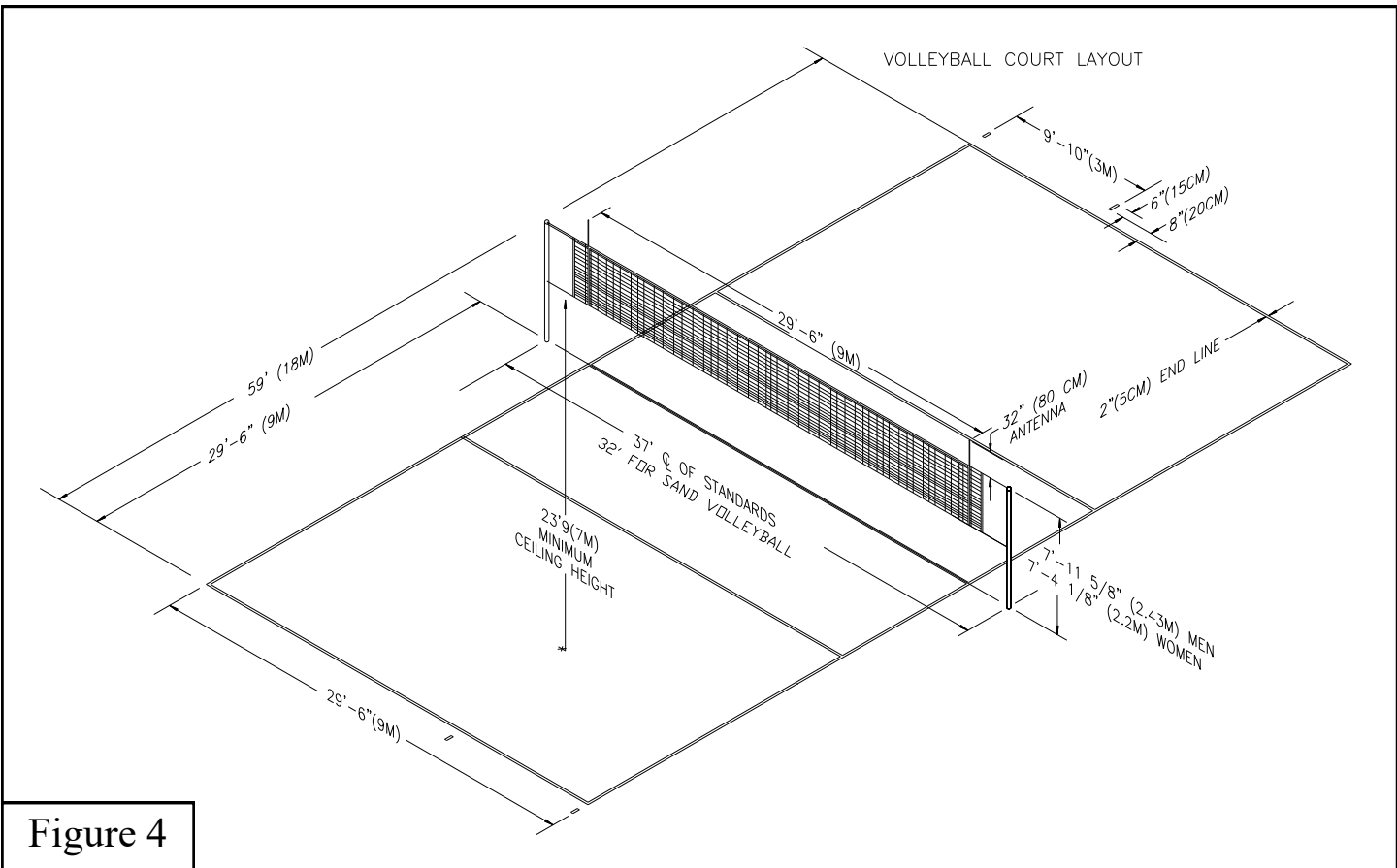


Figure 4