

— Instruction Manual —

MODEL BA781

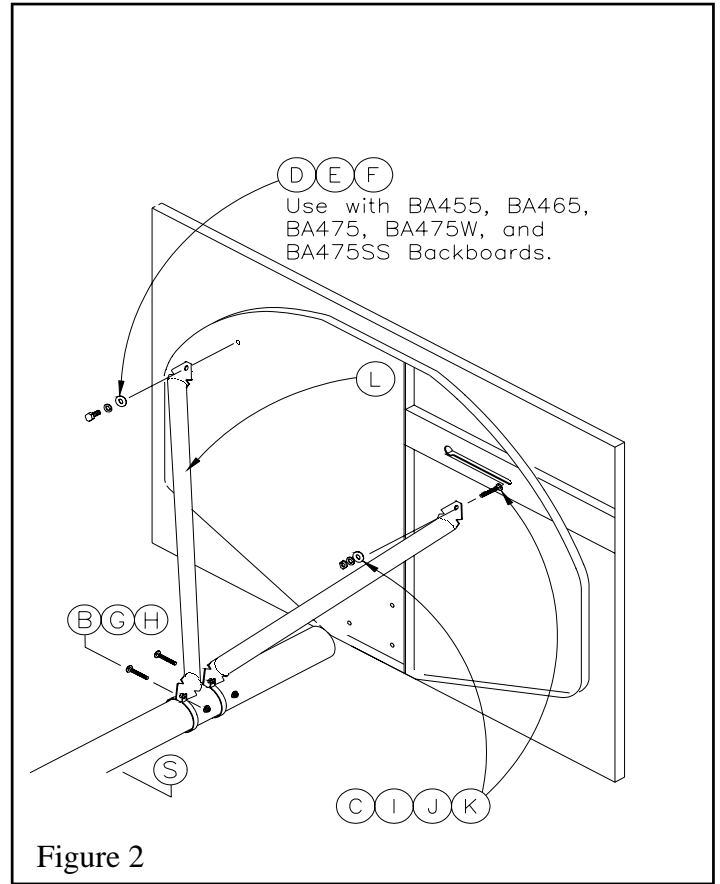
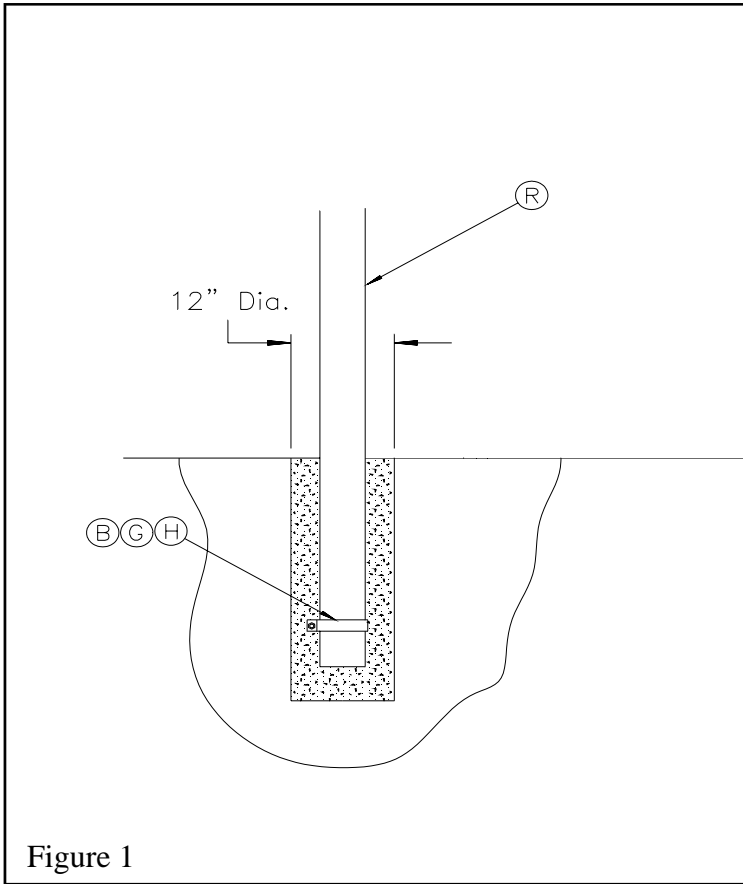
Mega Duty Playground Pole



Customer Service
(800) 247-7668

PARTS LIST					
Item	Qty	Description	Item	Qty	Description
A	1	Backboard Mounting Bracket	K	2	7/16" Hex Nut
B	5	5 9/16" Band Clamp	L	2	Backboard Brace
C	2	7/16" x 2" Carriage Bolt	M	2	1/2" Set Screw, Square Head
D	2	3/8" x 1" Hex Bolt	N	2	1/2" Jam Nut
E	2	3/8" Flat Washer	O	4	1/2" Lock Washer
F	2	3/8" Lock Washer	P	2	5 9/16" U-Bolt w/Nuts
G	5	5/16" x 2" Carriage Bolt	Q	1	Extension Brace
H	5	5/16" Flange Nut	R	1	Pole
I	2	7/16" Flat Washer	S	1	Extension Arm
J	2	7/16" Lock Washer	T	1	Pole Plug

- ◆ Inspect all contents prior to installation. Report any missing parts to dealer immediately.
 - ◆ **Read all instructions before proceeding.**
1. Select the location for the concrete base footing. Dig a 12" diameter hole that is a minimum of 48" deep. In areas where the normal frost line is below 36" it is advisable to dig to the normal frost line. (Consult a local concrete contractor if there is any question).
 2. Make sure that you have a broomstick or similar pole to vibrate air pockets out of concrete. The 12" diameter by 48" deep hole will require approximately 3.25 cubic ft. of 3000 PSI concrete (8 to 10 60# bags of premix concrete). You will need to adjust the amount depending on the size of hole you prepared. Having the proper amount of concrete before you start will ensure proper strength of the footing.
 3. Mix concrete according to the directions on the bag. It is advantageous to have the mixture "wet". This will increase your working time and allow batches to mix in the hole. Pour the hole full to ground level. Attach 5 9/16" Band Clamp (B) with 5/16" X 2" Carriage Bolt (G), and 5/16" Flange Nut (H) to bottom end of the Pole (R) and insert Pole (R) into concrete while vibrating concrete to allow it to surround the Pole completely. The Pole (R) height from the ground should be 12'. **See Figures 1 and 3.**



4. Clean excess concrete from *Pole* (R). Level the *Pole* (R) in the hole and allow the footing to cure for seven (7) days. Only after the concrete has cured for seven days should you proceed.
5. Seven days have passed. Insert the *Pole Plug* (T). **See Figure 3.** Secure the *Extension Arm* (S) to the *Pole* at a distance of 9' 6" from the bottom of the arm to the playing surface with the 5-9/16" *U-bolts and Hex Nuts* (P) and 1/2" *Lock Washers* (O). Fasten the *Extension Brace* (Q) to the *Extension Arm* (S) and the *Pole* (R) with (2) 5-9/16" *Band Clamps* (B). **See Figure 3.** Slide two 5-9/16" *Band Clamps* (B) over the *Extension Arm* (S).
6. Assemble the rim and backboard to the *Backboard Mounting Bracket* (A), then attach the *Backboard Mounting Bracket* (A) to the end of the *Pole* (R) with 1/2" *Square Head Set Screws* (M) making sure that the rim and the backboard are level. Fasten *Backboard Braces* (L) to the backboard with 7/16" X 2" *Carriage Bolts* (C), 7/16" *Flat Washers* (I), 7/16" *Lock Washers* (J) and 7/16" *Hex Nuts* (K) or with 3/8" X 1" *Hex Bolt* (D), 3/8" *Flat Washers* (E) and 3/8" *Lock Washers* (F) depending upon the style of backboard. **See Figures 2 and 3.**

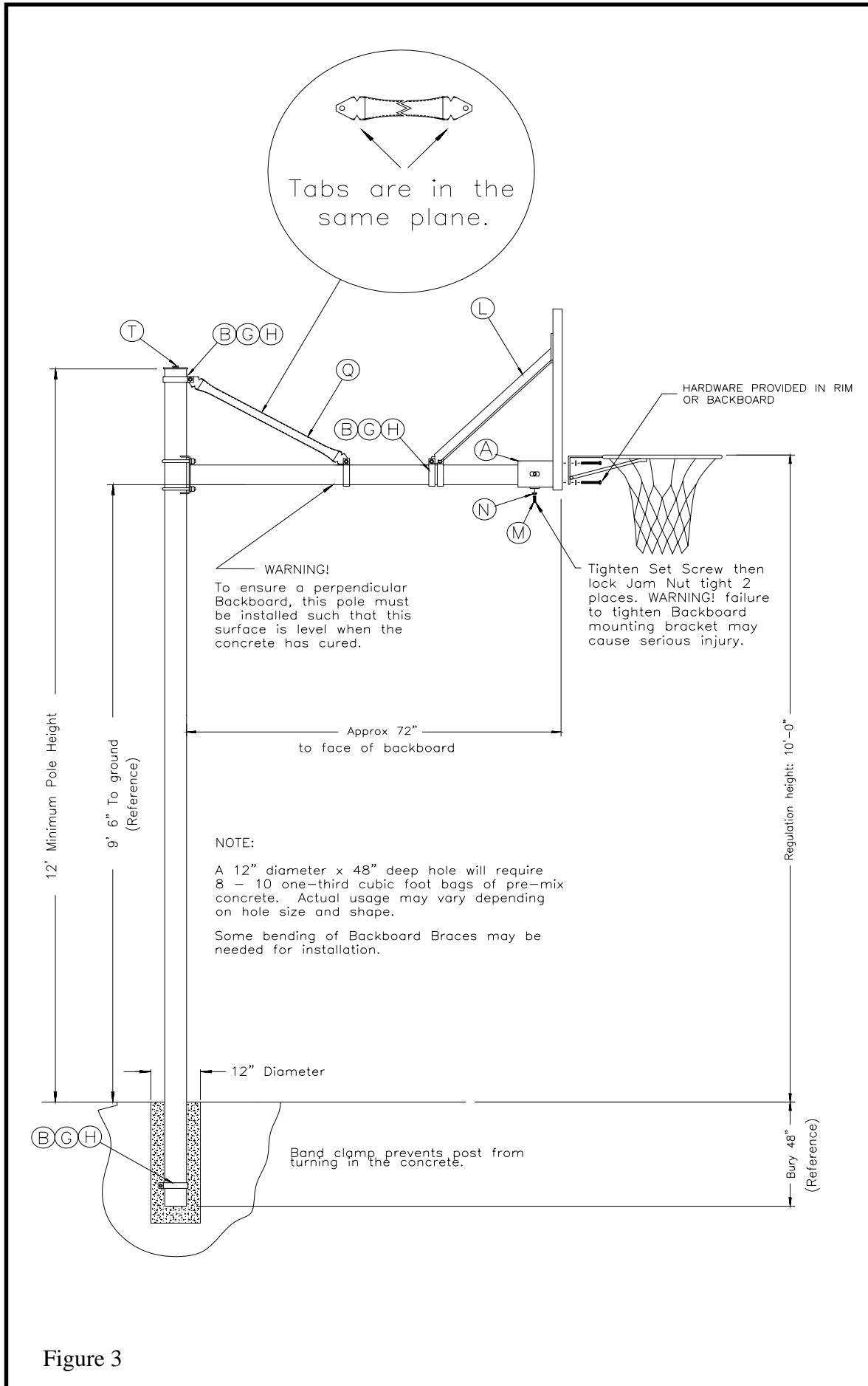


Figure 3