

# BA898HD

T-Rex Portable Hold Down Kit



Customer Service  
(800) 247-7668

## PARTS LIST

Item	Qty	Description	Item	Qty	Description
A	1	VB25FL Floor Anchor	C	1	Turnbuckle
B	1	Eye Bolt	D		

### SAFETY WARNING:

**DO NOT** hang on the rim or any part of system including backboard, support braces, or net.  
**DO NOT** slide, climb, or play on system. When adjusting height, keep hands and fingers away from moving parts. **DO NOT** allow young children to adjust or move system. **DO NOT** wear jewelry (rings, watches, necklaces, etc.) during play. **DO NOT** operate without the proper factory ballast. **DO NOT** attempt to setup or move the system on uneven surfaces.

1. Move the base to the desired location to determine the location of the *floor anchor* (A). (Fig 1)  
The anchor should be 1" behind the base frame and centered below the pad eye. (Fig 2)
2. Install the appropriate *floor anchor* (A) using the instructions included with the *floor anchor* (A).
3. Screw the *eye bolt* (B) completely into the *floor anchor* (A).
4. Hook the *turnbuckle* (C) through the *eye bolt* (B) and the pad eye on the base frame. Adjust the *turnbuckle* (C) until the slack is removed. (Fig 2)

### Warning!!!

Over-tightening the turnbuckle can cause damage to the base, anchor, and floor.

Fig 1

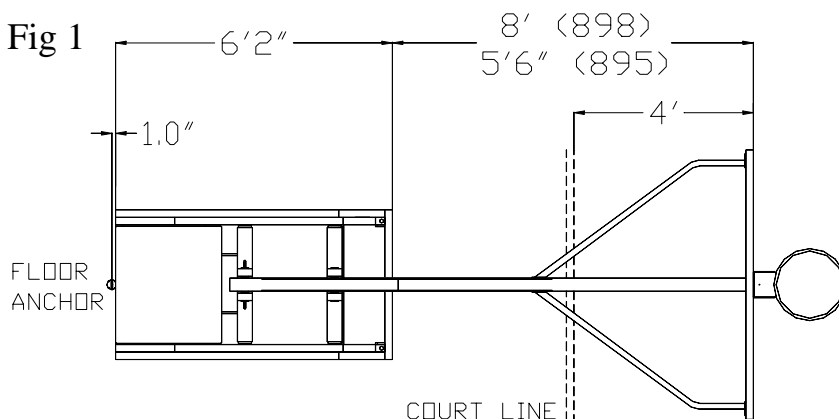


Fig 2

