

BA870JR



5" Fixed Height Pole System (PR15 and BA9488C Packages)

Customer Service
(800) 247-7668

PARTS LIST					
Item	Qty	Description	Item	Qty	Description
A	1	Vertical Pole	J	2	5/16" Flat Washer
B	1	45 degree Extension Arm	K	2	5/16" Lock Washer
C	2	U-Bolt	L	1	PR15 Adapter (PR15 Package Only)
D	1	Pole Cap	M	2	Spacer Block (PR15 Package Only)
E	4	1/2" Hex Nut	N	2	3/8" X 1" Carriage Bolt (PR15 Package Only)
F	4	1/2" Flat Washer	O	4	3/8" X 1/2" Hex Bolts (PR15 Package Only)
G	4	1/2" Lock Washer	P	6	3/8" Flat Washer (PR15 Package Only)
H	2	5/16" x 1" Carriage Bolt	Q	6	3/8" Lock Washer (PR15 Package Only)
I	2	5/16" Hex Nut	R	2	3/8" Hex Nuts (PR15 Package Only)

Note:
Your 45 Degree Extension Arm (B) has two packaging corners that will need to be removed and discarded before assembly.

- ◆ Inspect all contents prior to installation. Report any missing parts to dealer immediately.
 - ◆ Read all instructions before proceeding.
1. When positioning the pole, take into consideration that the backboard will be approximately 3' from the front of the *Vertical Pole* (A). Dig a 12" (minimum) diameter by 48" deep hole.
 2. It's important to make sure that at least 112" of the *Vertical Pole* (A) extends above the playing surface to ensure the official 10' playing height. See Figure 1.

Note!
Filling the entire *Vertical Pole* (A) with concrete will provide maximum rigidity.

3. You will need approximately 6 cubic feet of concrete for your installation (ready mix bags are typically 1/3 cubic foot each). Fill the entire *Vertical Pole* (A) with concrete for maximum rigidity. The *Vertical Pole* (A) must be vertical to the playing surface. It is recommended to brace the pole during the curing process.
4. After allowing 7 days curing time for the concrete, mount the *45 Degree Extension Arm* (B) as shown using *U-Bolts* (C), *1/2" Hex Nuts* (E), *1/2" Flat Washers* (F) and *1/2" Lock Washers* (G). The arm can be loosely mounted at ground level and raised to correct height or it can be mounted at the correct height depending upon equipment availability. See Figure 1.

Warning!

The extension arm is extremely heavy. Stay away from the area below the extension arm and backboard while installing and adjusting or **SERIOUS INJURY OR DEATH MAY OCCUR!**

Note!

If your warning label becomes damaged or lost, call the manufacturer for a replacement.



SAFETY INSTRUCTIONS



FAILURE TO FOLLOW THESE SAFETY INSTRUCTIONS MAY RESULT IN SERIOUS INJURY, PROPERTY DAMAGE AND WILL VOID WARRANTY.

Owner must ensure that all players know and follow the rules for safe operation of this system.

To ensure safety, do not assemble this system without following the instructions carefully. A high probability of serious injury exists if this system is not installed, maintained, and operated properly.

- If using a ladder during assembly, use extreme caution.
- 2 people are recommended for safe assembly.
- Before digging, contact utility company to locate underground power cables, gas and water lines. Ensure there are no overhead power lines within 20 ft. (7m) radius of pole location.
- Climate, corrosion or misuse could result in system failure.
- If technical assistance is required, contact the manufacturer.
- Minimum operational height is 6'6" (1.98m) to the bottom of the backboard. Do not install so that bottom of backboard is below this height.
- Assembly will require lifting and bending that may result in injury to persons not accustomed to this type of activity.

Most injuries are caused by misuse and/or not following instructions. Use caution when using and installing this system



WARNING

FAILURE TO FOLLOW THESE WARNINGS MAY RESULT IN SERIOUS INJURY AND/OR PROPERTY DAMAGE.

Owner must ensure that all players know and follow these rules for safe operation of the system.

- DO NOT remove or cover this warning label
- DO NOT HANG on the rim or any part of system including backboard, support braces or net.
- During play, especially when performing dunk type activities, keep player's face away from the backboard, rim and net. Serious injury could occur if teeth/face come in contact with backboard, rim or net.
- Do not slide, climb or play on pole.
- When adjusting height, keep hands and fingers away from moving parts.
- Do not allow young children to adjust system.
- During play, do not wear jewelry (rings, watches, necklaces, etc.). Objects may entangle in net.
- Keep organic material away from pole base. Grass, Litter, etc. could cause corrosion and/or deterioration.
- Check pole system for signs of corrosion (rust, pitting, chipping) and repaint with exterior enamel paint available from the manufacturer. If rust has penetrated through the steel anywhere, replace pole immediately.
- Check system before each use for loose hardware, excessive wear signs of corrosion and general instability and repair before play is allowed.
- Never play on damaged equipment.

BISON, INC. 1-800-247-7668

BA730

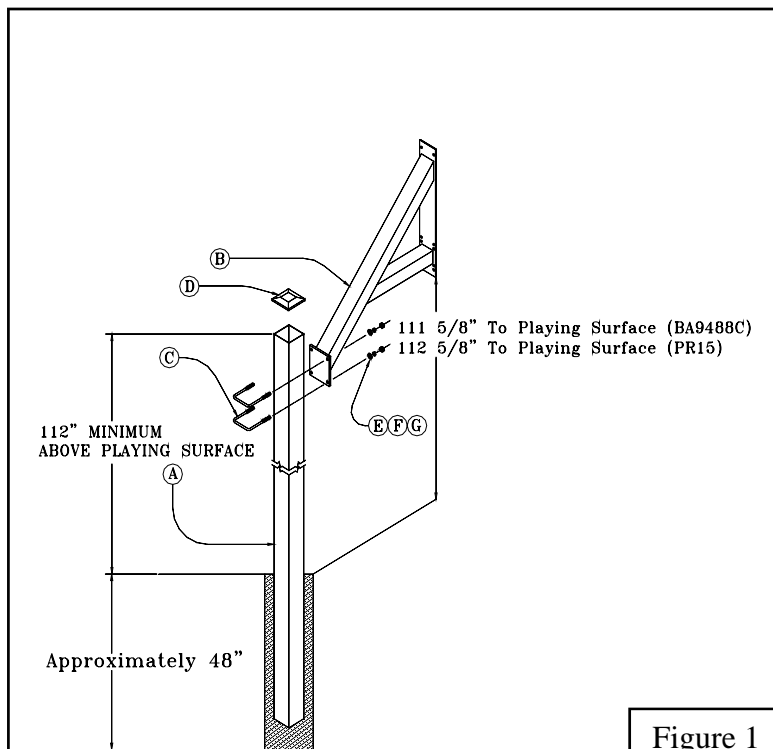
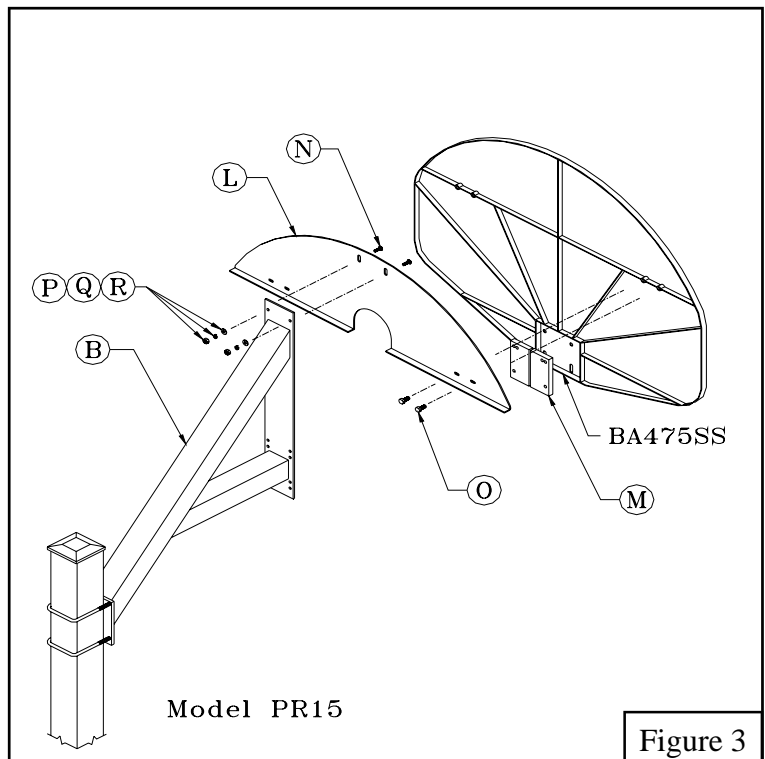
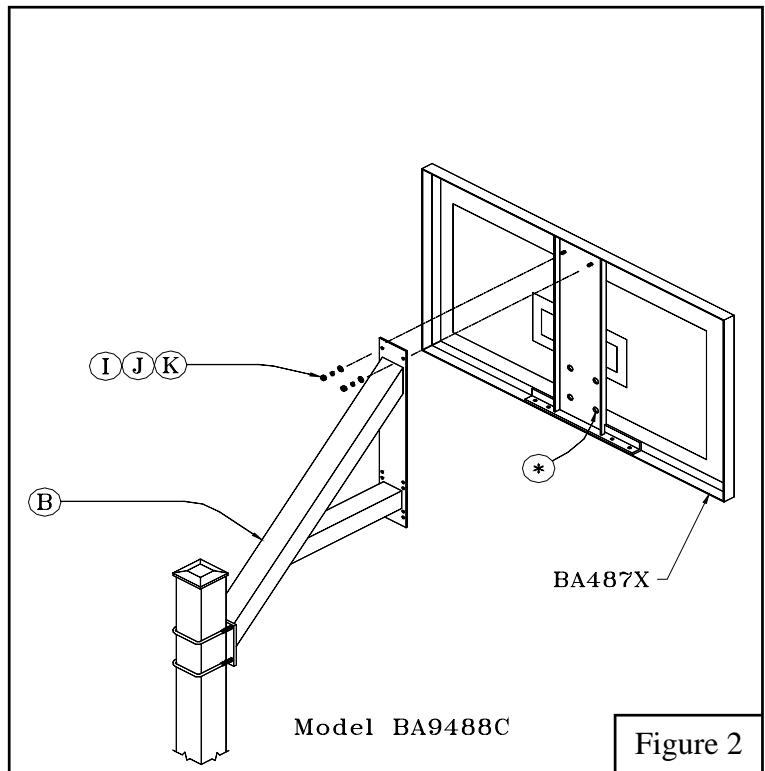


Figure 1

Once your *45 Degree Extension Arm (B)* has been securely mounted at the correct height you can begin to mount the backboard. Instruction #5 and Figure 2 refer to Bison Model BA9488C. Instruction #6 and Figure 3 refer to Bison Model PR15. Please follow the instruction for your application.

5. Check to insure the four factory installed rim mounting bushings* are installed in the corresponding holes on the BA487X backboard. If any are missing, please check the inside of the box. Hang backboard by placing the top two threaded studs on the rear of the backboard in the top two mounting holes in the *45 Degree Extension Arm (B)*. Use *5/16" Hardware (I), (J) and (K)* to attach. Finger tighten only. See Figure 2.
6. Use the *3/8" X 1" Carriage Bolts (N)*, *3/8" Flat Washers (P)*, *3/8" Lock Washers (Q)* and *3/8" Hex Nuts (R)* to mount *PR15 Adapter (L)* to the *45 Degree Extension Arm (B)*. Position *Spacer Blocks (M)* in between the BA475SS backboard and *45 Degree Extension Arm (B)* at the rim mounting location. Use the *3/8" X 1/2" Hex Bolts (O)* to attach the BA475SS backboard to the *PR15 Adapter (L)*. Finger tighten only. See Figure 3.
7. Mount rim in the lower four holes using the hardware provided with the rim.
8. Tighten all bolts, making sure the rim is level and at the desired height.
9. Install net (provided with rim) and *Pole Cap (D)*.



Note!

It is recommended to restrict aggressive play for the first two weeks to allow the concrete to completely cure.