

# SCFUTSAL/SCTEAMHB

## Official Futsal/Team Handball Goal

### **Warning!**

It is imperative that all **Portable Goals** be used in accordance with the safety guidelines contained in these instructions as well as those found on the safety warning labels attached to the goals. Failure to do so can cause serious injury or death.

### **IMPORTANT SAFETY INSTRUCTIONS!**

1. Check for structural integrity and proper connection hardware before every use. Replace damaged or missing parts or fasteners immediately.
2. Ensure safety/warning labels are clearly visible (placed under the crossbar).
3. Securely anchor or counterweight movable goals at **ALL** times.
4. Always instruct players, managers, coaches, trainers, teachers, maintenance and all other personnel who might come into contact with the goal on the safe handling of and potential dangers associated with movable goals.
5. Always exercise extreme caution when moving goals and allow adequate manpower to move goals of varied size and weights. Movable goals should only be moved by authorized and trained personnel.
6. **NEVER** allow anyone to climb on the net or goal framework.
7. Most tip over injuries occur when goals are unattended. Unless area is secure fully disassemble or store in a place where children cannot have access to them.
8. Always insure that ballast bags are properly positioned on the spreader bar to avoid tip over.

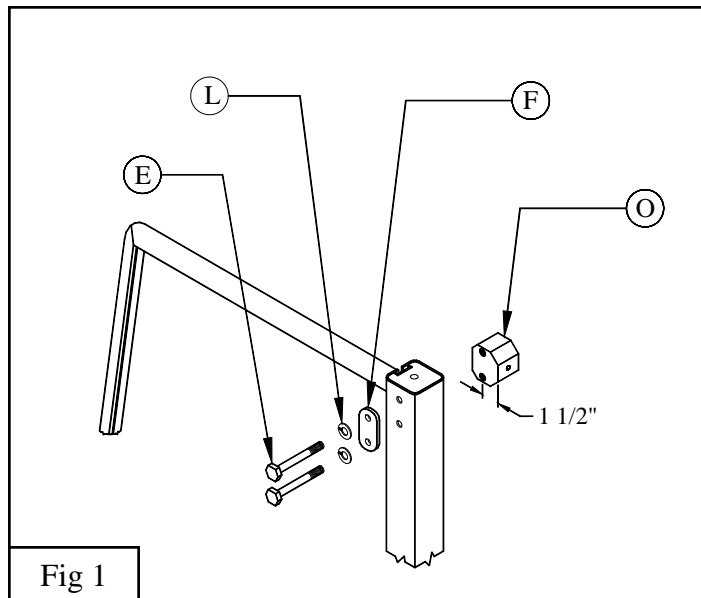
- ◆ Inspect all contents prior to installation. Report any missing parts to dealer immediately.
- ◆ Read all instructions before proceeding.

### **PARTS LIST FOR ONE PAIR OF GOALS**

Item	Qty	Description	Item	Qty	Description
A	2	Crossbar	B	4	Goal Side
C	2	Spreader Bar	D	8	Foot Pad
E	8	1/2" X 4 1/2" Hex Bolt	F	4	Washer Plate
G	4	3/8" X 1" Hex Bolt	H	8	3/8" Flat Washer
I	4	3/8" X 2" Hex Bolt	J	8	3/8" Lock Nut
K	4	3/8" X 3 1/2" Hex Bolt	L	8	1/2" Lock Washer
M	50	Net Clip	N	2	Net
O	4	Nut Block	P	8	Quick Pin
Q	4	5/16" X 4" Hex Bolt	R	4	5/16" Lock Nut
S	4	5/16" Flat Washer	T	2	Ballast Bag (packaged separately)

1. Using the  $1/2''$  X  $4 1/2''$  Hex Bolts (E),  $1/2''$  Lock Washers (L) and Washer Plates (F) install the Nut Block (O) to the top inside of each Goal Side (B). Make sure the Nut Block (O) is positioned so the  $1 1/2''$  distance from edge to center of threaded holes faces the front of the Goal. See Figure 1.

2. Use the  $3/8''$  X  $1''$  Hex Bolts (G) and  $3/8''$  Flat Washers (H) to attach Foot Pads (D) into the threaded plate on the bottom of the front upright pole on Goal Sides (B). Use the  $3/8''$  X  $2''$  Hex Bolts (I),  $3/8''$  Flat Washers (H) and  $3/8''$  Lock Nuts (J) to attach Foot Pads (D) to the bottom rail on Goal Sides (B). See Figure 2.



#### Notice:

- ◆ Please refer to Option A instructions for assembly that allows for quick pull pin set-up and storage.
- ◆ Follow Option B instructions for bolt together assembly.

Option A: See Figure 2.

Carefully slide Crossbar (A) over Nut Block (O) with the net clip slot facing the inside of the goal on both Goal Sides (B). Insert one Quick Pin (P) through assembly and snap safety clip over the top of Crossbar (A) and over the end of Quick Pin (P).

Align the holes in Spreader Bar (C) to the holes in back support rail on Goal Sides (B), insert one Quick Pin (P) through assembly, snap safety clip around support rail and over the end of Quick Pin (P).

Option B: See Figure 2.

Utilize the same assembly technique described in Option A replacing the Quick Pins (P) with  $5/16''$  X  $4''$  Hex Bolts (Q),  $5 16''$  Flat Washers (S) and  $5/16''$  Lock Nuts (R) on the Crossbar (A). Use the  $3/8''$  X  $3 1/2''$  Hex Bolts (K) and  $3/8''$  Lock Nuts (J) to attach Spreader Bar (C) to Goal Sides (B). Tighten all hardware.

Once goal is assembled install Net Clips (M) along Crossbar (A), upright poles on Goal Sides (B) and Spreader Bar (C) every 24". The Net Clips (M) are designed to slip into the slot then twisted 90 degrees to attach. Drape Net (N) over the outside of entire goal using the Net Clips (M) to hold into position.

#### Reminder:

**Always securely anchor or counterweight portable goals with provided ballast bags to reduce the risk of tip over.**

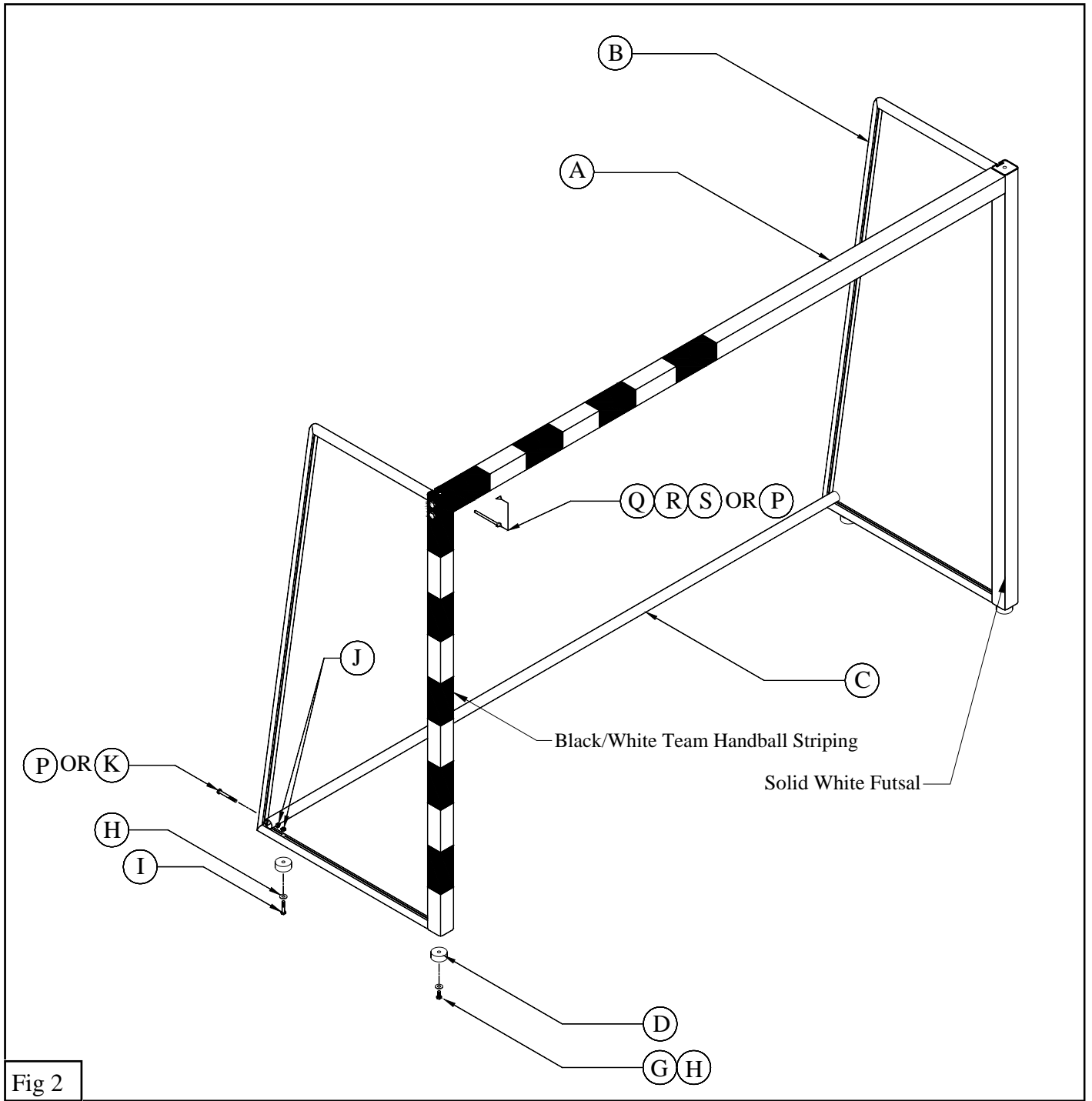


Fig 2