

# STC036

Sport Pride Chair Transport Cart



Customer Service  
(800) 247-7668

## PARTS LIST

Item	Qty	Description	Item	Qty	Description
A	2	Wheel Tube	J	12	5/16 X 2" Hex Bolt
B	2	Upright	K	8	5/16 X 1 1/2" Hex Bolt
C	1	Stabilizer	L	20	5/16" Lock Washer
D	2	T-Plate	M	20	5/16" Hex Nut
E	2	Crossbar	N	4	Casters
F	12	Hanger	O	4	1/2" Flat Washer
G	24	1/4" Hex Bolt	P	4	1/2" Lock Washer
H	24	1/4" Lock Washer	Q	4	1/2" Nylock Nut
I	24	1/4" Hex Nut			

- ◆ Inspect all contents prior to installation. Report any missing parts to dealer immediately.
- ◆ Read all instructions before proceeding.

1. Using the *1/4" Hex Bolts (G)*, *1/4" Lock Washers (H)*, and the *1/4" Hex Nuts (I)* bolt all *12 Hangers (F)* to the *2 Crossbars (E)*. See Figure 1.
  
2. Using the *5/16 X 2" Hex Bolts (J)*, *5/16" Lock Washers (L)*, and the *5/16" Hex Nuts (M)* bolt together the *Wheel Tubes (A)*, *Uprights (B)*, *Stabilizer (C)*, and *T-Plates (D)*. See Figure 2.

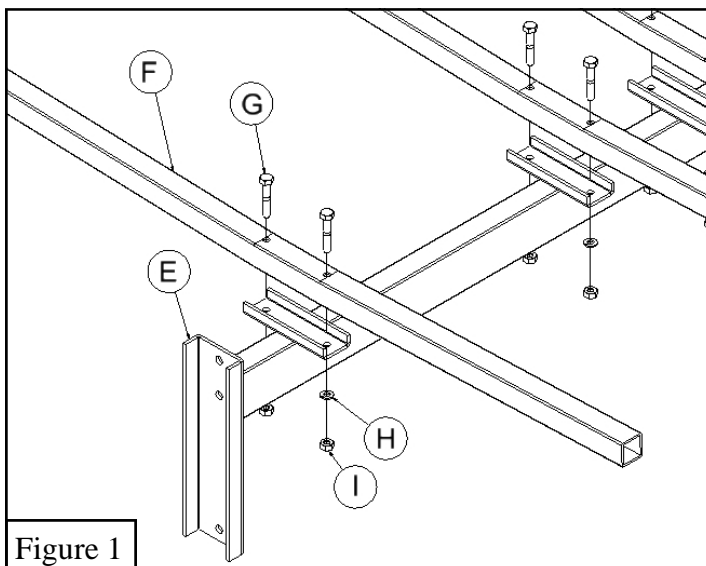


Figure 1

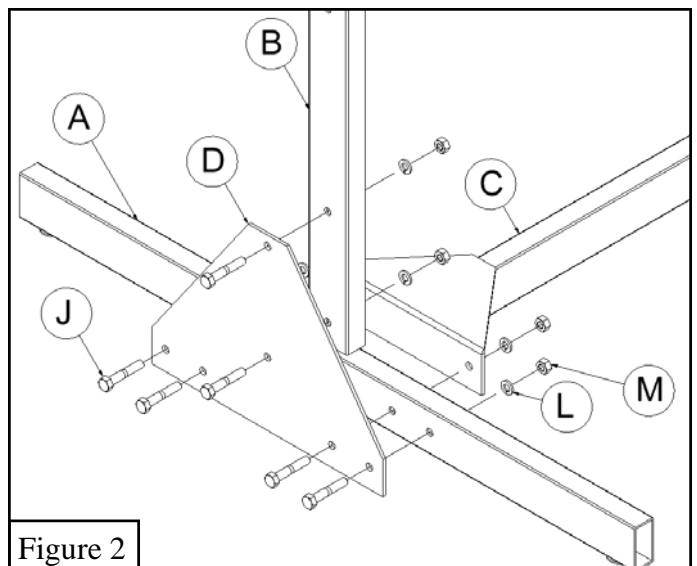


Figure 2

3. Using the  $5/16 \times 1\ 1/2$ " Hex Bolts (K),  $5/16$ " Lock Washers (L), and the  $5/16$ " Hex Nuts (M) bolt the Crossbar (E) and Hanger (F) assemblies to the Uprights (B). See Figure 3 .

4. Install the Casters (N) using the  $1/2$ " Flat Washers (O),  $1/2$ " Lock Washers (P), and the  $1/2$ " Nylock Nuts (Q). See Figure 4.

5. When fully assembled the STC036 will store and transport 36 chairs. See Figure 5.

